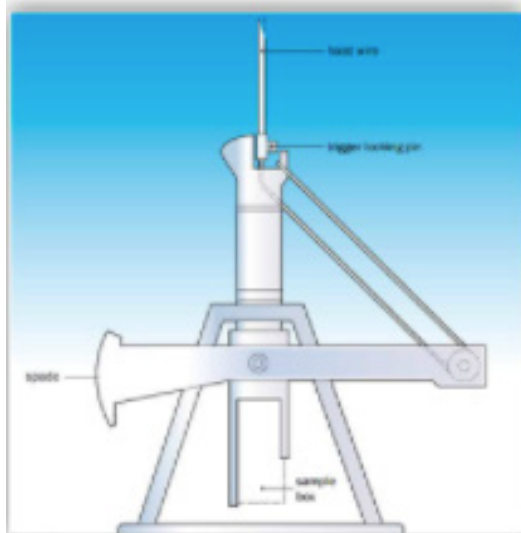
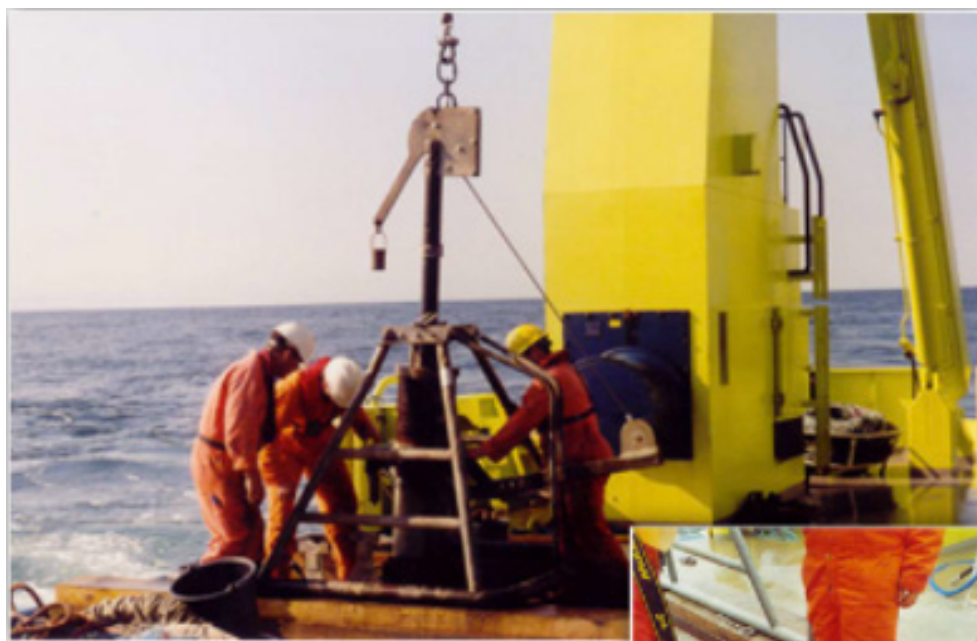


Boxcorer

This is designed to take relatively undisturbed samples of the sea bed top-soil in soft cohesive sediments. The equipment operates by a self releasing trigger system rigged by the frame touching the sea bed. The round box is pushed into the bottom by gravity force of the weight mounted on the top of the box retainer. A spade freed by the trigger-mechanism closes the sample box during the recovery of the unit preventing the sample being washed-out.

Dimensions:

- Total weight 1060 kg
- Box diameter 330 mm H = 560 mm
- Max. penetration 56 cm
- Frame L x W x H
2100 x 1600 x 2500 mm



Marine Sampling Holland

Basisweg 155
1951 NG Velsen-Noord
P.O.Box 56
1950 AB Velsen-Noord
The Netherlands

T: +31 (0)251 27 14 13
F: +31 (0)251 22 94 46

E: info@marinesamplingholland.nl
I: www.marinesamplingholland.nl